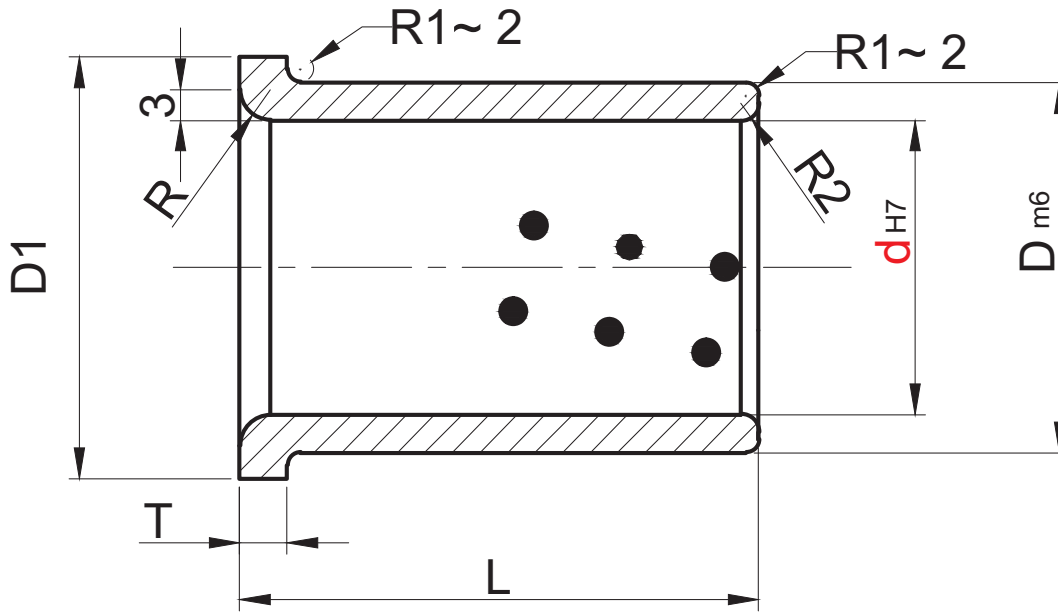


► Oilless Bush (PBOC)



Material :- Phosphorus Bronze - Embedded with Solid Lubricant

| TYPE | d | dh7 | | Dm6 | | D1 | T | R | L |
|------|------|-----|--------------------|-----|----------------------|-----|-----|----|----|
| PBOC | 25 | 25 | (+0.021) (-0.0) | 35 | (+0.025) (+0.009) | 45 | 7 | 10 | 40 |
| | 30 | 30 | | 40 | | 50 | 50 | | |
| | 40 | 40 | (+0.025) (-0.0) | 55 | (+0.030) (+0.011) | 65 | 10 | | 70 |
| | 50 | 50 | | 65 | | 75 | | 80 | |
| | 60 | 60 | (+0.030) (-0.0) | 75 | (+0.035) (+0.013) | 85 | | 20 | 80 |
| | 65 | 65 | | 80 | | 90 | 120 | | |
| | 65A | 65 | | 100 | | 110 | 100 | | |
| | 80 | 80 | | 100 | | 110 | 140 | | |
| | 80A | | 120 | 100 | 100 | | | | |
| | 100 | 100 | (+0.035) (-0.0) | 120 | 130 | 100 | | | |
| | 100A | | | | | 140 | | | |

Order Type :- Code X d

Example :- PBOC X 40

Note :- Phosphorus Bronze bush as per drawing can also be manufactured.